




# LAT 61 K 85/40 IUPN

## Laser distance sensor



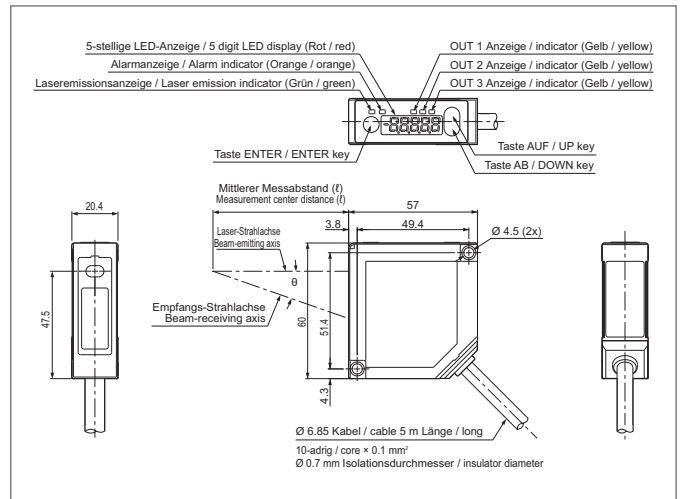
- Extremely high resolution
- Very small laser spot
- CMOS linear image sensor
- Integrated configuration display
- 2 analog and 3 digital outputs
- Timing- and multifunction input
- Light construction for mounting on moving parts
- High protection class



 ANSCHLUSSSCHEMA siehe DOKUMENTE → Beipackzettel S. 2  
 CONNECTION DIAGRAM see DOCUMENTS → Instruction leaflet p. 2  
 SCHÉMA DE CONNEXION voir DOCUMENTS → Notice d'utilisation p. 2

### Safety instructions

Inproper use may result in hazardous radiation exposure. Pay attention to accident prevention rules and laser class. The instruments are not to be used for safety applications, in particular applications in which safety of persons depends on proper operation of the instruments. These instruments shall exclusively be used by qualified personnel.



TECHNICAL INFORMATION (typ.)	+20°C, 24V DC
Emitted light	Red light laser, 665 nm
Laser class	2 (IEC 60825-1)
Service voltage	24 V DC ± 10%
Internal power consumption	< 100 mA
Diameter of light spot	0,75 x 1,25 mm
Detection range	65 ... 105 mm
Resolution	2,5 µm
Measuring center distance / Measuring range	85 mm / ± 20 mm
Switching output	pnp/npn (3x), 50 mA, NO/NC, configurable
Analog output	0 ... 10 V, 4 ... 20 mA, linearised
Display	LED for output status, LED yellow (Display output)
Voltage drop	2,8 V
Ambient temperature	-10 ... +45 °C
Vibration/Shock resistance	10 ... 500 Hz / 1,5 mm / 10 G
Ambient light immunity	3 kLx
Insulation voltage endurance	250 V
Protection class	IP 67
Protection degree	III, operation on protective low voltage
Casing material	plastics
Material	Acrylic (Window)
Connection	Cable, 5 m, 10-poled, shielded, flying leads